

single rail double power canopy

CPY012

(Old Code: SRCA2)

SPEC SHEET

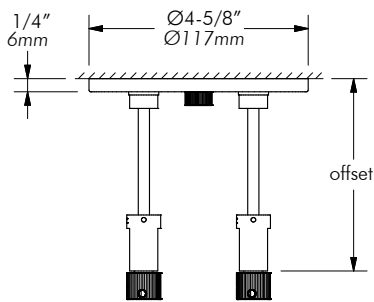


Material: Brass with electroplated finish.

Mounting: Used with 2 remote transformers to power 2 sections of system. A JON001-1 joiner must be used between the 2 feeds to isolate and join rails together. Mounts to standard J-Box. Stem cannot be used as a support.

Unit Package: 1 unit.

Approval: Dry locations. Approved to UL standards by CSA/US.



Code	Offset	Finish
CPY012		
<i>canopy</i>	4 = 4" / 102mm 7 = 7" / 178mm X = custom	MC = matte chrome BN = brushed nickel

[Project]

[Quantity]

[Notes]