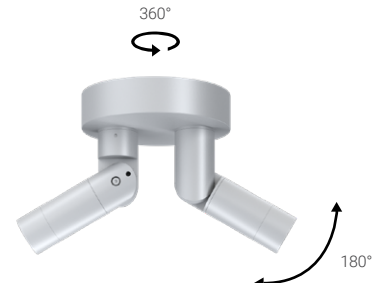


L730-D

EXTERIOR | INTERIOR

Double-heads Spotlight | For surface mount

- Wet, Damp, and Dry location



* Each spotlight head can rotate 360° and can be adjusted up to 180° in angle.

Ordering Information

Clear Form

Date : _____ Quantity : _____

Project : _____ Note : _____

Type : _____

Specifications

Luminaire | Example Code: L730-D-B5-2-W30H-S-ELB-WS-MA

Product	Canopy	Version	CCT & CRI ¹	Beam Angle	Accessories (optional)	Shroud	Finish
L730-D	B5						MA
	B5	1 1W 2 2.5W	W22S 2200K 80+ W27H 2700K 90+ W30H 3000K 90+ W35H 3500K 90+ W41H 4100K 90+	S spot 12° N narrow flood 30°	ELB eggcrate louver	DS dry location shroud WS wet location shroud	MA matte clear anodized

System Components (Ordered Separately)

Remote Driver : _____ Control System : _____

On/Off | Dimming ELV or 0-10 dimming
Other options (consult factory) TRIAC/MLV, DMX, DALI, Casambi, PoE

Important Notes

Specification

1. Refer to pg.2 - for Light Quality & Colour Consistency details.

Warranty Notes & Disclaimer

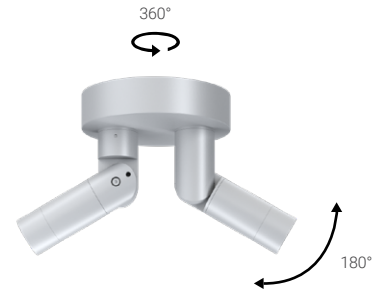
Malfunction and damage to product due to incompatible dimming system or misuse will not be covered under warranty. Consult MP Lighting for recommended drivers. If the fixture has an option to be installed with a dimming control system, consult a dimming system manufacturer with minimum load before installing. MP Lighting reserves the right, at its sole discretion, at any time and without notice, to make design changes to any of our products. Consult MP Lighting website for most updated documentation.

L730-D

EXTERIOR | INTERIOR

Double-heads Spotlight | For surface mount

• Wet, Damp, and Dry location



* Each spotlight head can rotate 360° and can be adjusted up to 180° in angle.

Performance | per spotlight

Wattage	Forward Current	Power Consumption Budget per fixture (including driver)	LED output (Source)	Fixture Output (Delivered)
1W	350mA	1.3W	110 lm	47-56 lm
2.5W	700mA	2.6W	275 lm	90-99 lm

Application

Environment	Wet, Damp, and Dry Location approved. IP66. Wet location shroud (WS) can be specified where proper drainage for water in shroud is required.
Mounting	B5: mounts to standard 4" octagonal back box (supplied by others) or MP Lighting back box (EBX-OCT1, ordered separately)

Electrical

Power Supplies	Remote LED drivers (120-277V AC input, constant current output): Fixtures to be wired in series.
Control	On/off control Dimming: ELV or 0-10V dimming with appropriate drivers Other options (consult factory): TRIAC/MLV, DMX, DALI, Casambi, Power over Ethernet

Luminaire Construction

LED Light Source	W22S = CCT: 2200K, CRI (Ra): 80+, Colour Consistency: 3SDCM W27H = CCT: 2700K, CRI (Ra): 90+, Colour Consistency: 2SDCM W30H = CCT: 3000K, CRI (Ra): 90+, Colour Consistency: 2SDCM W35H = CCT: 3500K, CRI (Ra): 90+, Colour Consistency: 3SDCM (Contact factory for 2SDCM option) W41H = CCT: 4100K, CRI (Ra): 90+, Colour Consistency: 3SDCM
Standard Compliance	✓WELL standard – Feature 58: Color Quality
Weight	N/A
Material	Fixture: machined marine-grade aluminum
Supplied with	Standard installation housing: Comes with a canopy, a universal crossbar, two hex socket head screws, two wire-nuts, and an allen key.
Warranty & LED Life	5 years limited warranty Estimated useful life of LED is 50,000 hours.

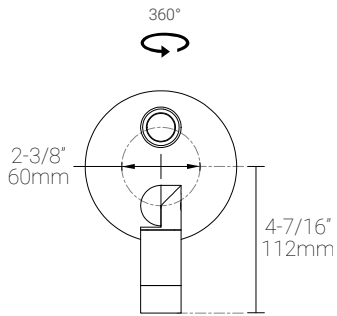
Ordered Separately

System Components	Power supplies: remote driver Please consult factory or visit Recommended Drivers for available driver options.
-------------------	---

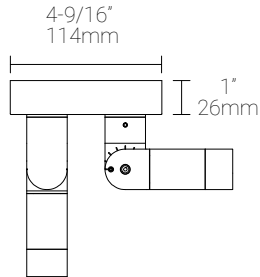
Mounting Options & Dimensions

LED Fixture Dimensions

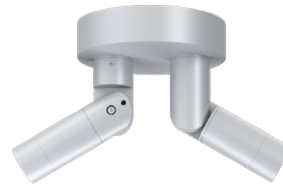
Top View



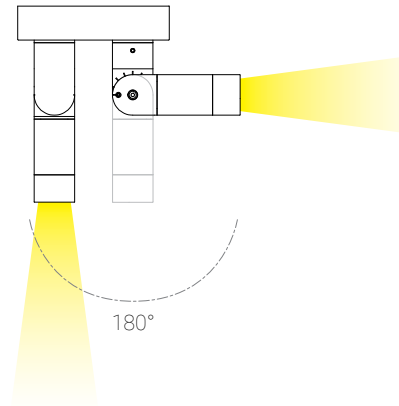
Side View



3D View

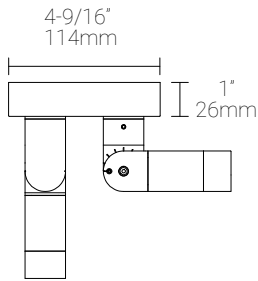


Beam

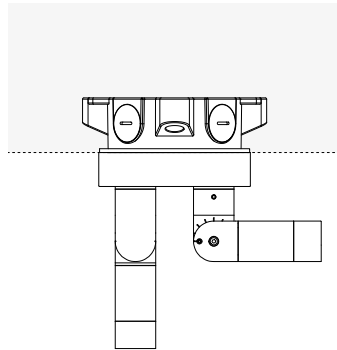


Options for Surface Mount (Walls & Ceiling) shown with MP Lighting back box (EBX-OCT1)

Fixture with B5 canopy



Ceiling(surface) Installation with B5 canopy & Back Box



Appendix

B5



MA matte clear anodized

Shroud Options

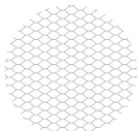


DS dry location shroud



WS wet location shroud

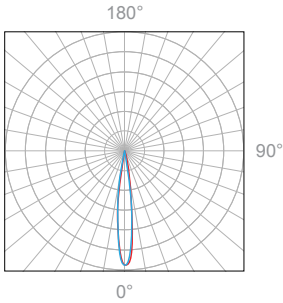
Accessories



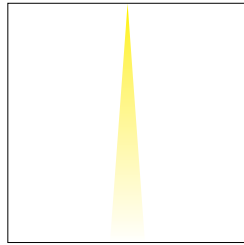
ELB eggcrate louver, black

1W, 3000K, 90+ CRI | per spotlight

Polar Candela Distribution



Beam Width: 12°

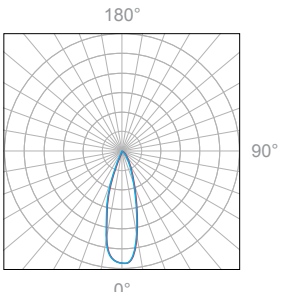


Illuminance at a Distance

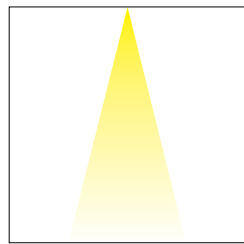
Distance		Center Beam fc	Beam Width			
1.0ft	0.30m	333fc	0.3ft	0.09m	0.3ft	0.09m
2.0ft	0.61m	94fc	0.7ft	0.21m	0.7ft	0.21m
3.0ft	0.91m	41fc	1.0ft	0.30m	1.0ft	0.30m
4.0ft	1.22m	22fc	1.3ft	0.40m	1.3ft	0.40m
5.0ft	1.52m	15fc	1.7ft	0.52m	1.7ft	0.52m
6.0ft	1.83m	10fc	2.1ft	0.64m	2.1ft	0.64m

Delivered Lumen: 65lm
 ■ Vertical Beam Spread: 19.4°
 ■ Horizontal Beam Spread: 19.4°

Polar Candela Distribution



Beam Width: 30°



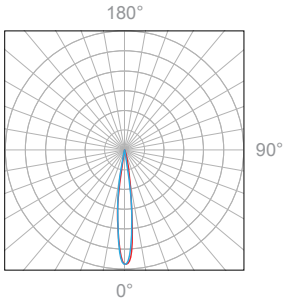
Illuminance at a Distance

Distance		Center Beam fc	Beam Width			
1.0ft	0.30m	209fc	0.5ft	0.15m	0.5ft	0.15m
2.0ft	0.61m	56fc	1.0ft	0.30m	1.0ft	0.30m
3.0ft	0.91m	26fc	1.5ft	0.46m	1.5ft	0.46m
4.0ft	1.22m	14fc	2.0ft	0.61m	2.0ft	0.61m
5.0ft	1.52m	9fc	2.5ft	0.76m	2.5ft	0.76m
6.0ft	1.83m	7fc	3.1ft	0.95m	3.1ft	0.95m

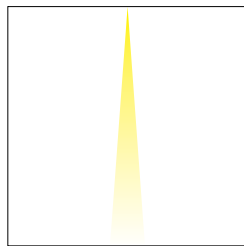
Delivered Lumen: 75lm
 ■ Vertical Beam Spread: 28.5°
 ■ Horizontal Beam Spread: 28.7°

2W, 3000K, 90+ CRI | per spotlight

Polar Candela Distribution



Beam Width: 12°

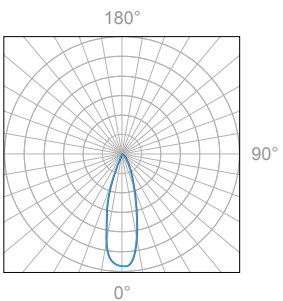


Illuminance at a Distance

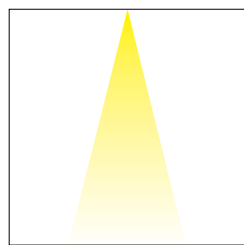
Distance		Center Beam fc	Beam Width			
1.0ft	0.30m	593fc	0.3ft	0.09m	0.3ft	0.09m
2.0ft	0.61m	166fc	0.7ft	0.21m	0.7ft	0.21m
3.0ft	0.91m	70fc	1.0ft	0.30m	1.0ft	0.30m
4.0ft	1.22m	40fc	1.3ft	0.40m	1.3ft	0.40m
5.0ft	1.52m	26fc	1.7ft	0.52m	1.7ft	0.52m
6.0ft	1.83m	18fc	2.0ft	0.61m	2.0ft	0.61m

Delivered Lumen: 129lm
 ■ Vertical Beam Spread: 19.0°
 ■ Horizontal Beam Spread: 19.0°

Polar Candela Distribution



Beam Width: 30°



Illuminance at a Distance

Distance		Center Beam fc	Beam Width			
1.0ft	0.30m	384fc	0.5ft	0.15m	0.5ft	0.15m
2.0ft	0.61m	104fc	1.0ft	0.30m	1.0ft	0.30m
3.0ft	0.91m	45fc	1.5ft	0.46m	1.5ft	0.46m
4.0ft	1.22m	25fc	2.0ft	0.61m	2.0ft	0.61m
5.0ft	1.52m	16fc	2.5ft	0.76m	2.5ft	0.76m
6.0ft	1.83m	12fc	3.0ft	0.91m	3.0ft	0.91m

Delivered Lumen: 149lm
 ■ Vertical Beam Spread: 28.3°
 ■ Horizontal Beam Spread: 28.3°