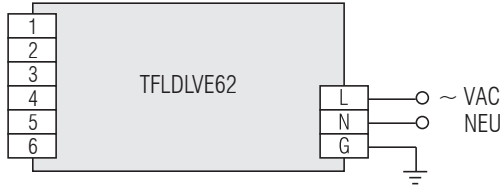
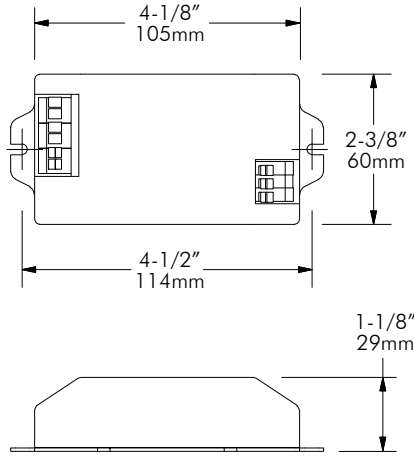


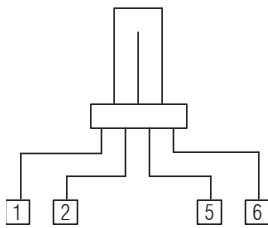
Copyright © MP Lighting. All technical information in this document is subject to change.

TFLDLVE62

SPEC SHEET

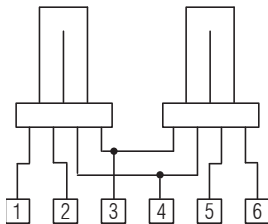


For 1 or 2 Compact 4 pin Lamps:
T5, TC-T, TC-L, TC-D, and 2D bulbs.



FOR 1 x LAMP:

| | | |
|---------|--------|---------|
| TC-D26W | T5-24W | TC-L18W |
| TC-T32W | T5-39W | TC-L24W |
| TC-T42W | 2D-38W | TC-L36W |



FOR 2 x LAMPS:

| | |
|---------|---------|
| TC-D26W | TC-L18W |
| TC-T26W | TC-L24W |
| T5-24W | TC-L36W |

Features:

- UL Class P, compact size that maximizes design flexibility.
- Multiple voltage from 120 to 277 volts.
- High performance electronic CFL ballast family, for 4-pin Lamps.
- Preheat soft start, low inrush.
- Protection against defective or no lamp.

| | |
|------------------------------|--|
| AC Input Voltage: | 120 ~ 277V, 50/60Hz |
| AC Input Current: | 0.52A Max |
| Output Wattage: | 62W Max (1 lamp only for 36W) |
| End-of-Lamp-Life Protection: | Yes |
| Operating Frequency: | 40KHz |
| Operating Temperature: | -15 ~ 50°C (5 ~ 125°F) |
| Maximum Case Temperature: | 85°C (185°F) |
| Humidity (Non-Condensing): | 5% ~ 85% |
| Case Material: | Non Conductive White Plastic |
| Weight: | 150g (0.33lbs) |
| Approval: | Approved to UL by CSA/CUS UL Listed |



* Consult factory for maximum wiring length.

Ordering:

TFLDLVE62

code

[Project]

[Quantity]

[Note]



16 W 4TH AVE VANCOUVER BC V5Y 1G3 CANADA
T 604 708 1184 F 604 708 1185 MPLIGHTING.COM