




# L631-L191

<b>Application</b>	Interior pendant
<b>IP Rating</b>	-
<b>Mounting</b>	C11 canopy retrofit to existing standard octagonal box using custom mounting plate (included)
<b>Pendant</b>	7 x L191 Pendants
<b>Electrical</b>	0.07W (700mA LEDs) *See website for recommended drivers *Remote emergency driver/inverter options available. (consult factory) 24V DC
<b>Power Consumption</b>	9W(2') or 17W(4')
<b>Light Output</b>	9W (2') - 219lm 17W (4') - 436lm
<b>Warranty</b>	5 years limited warranty Estimated useful life of LED is 50,000 hours.
<b>Material</b>	PMMA
<b>Weight</b>	32lbs (14.5kg)
<b>Approval</b>	

**Type:**

**Project:**

**Modified:**

**Quantity:**

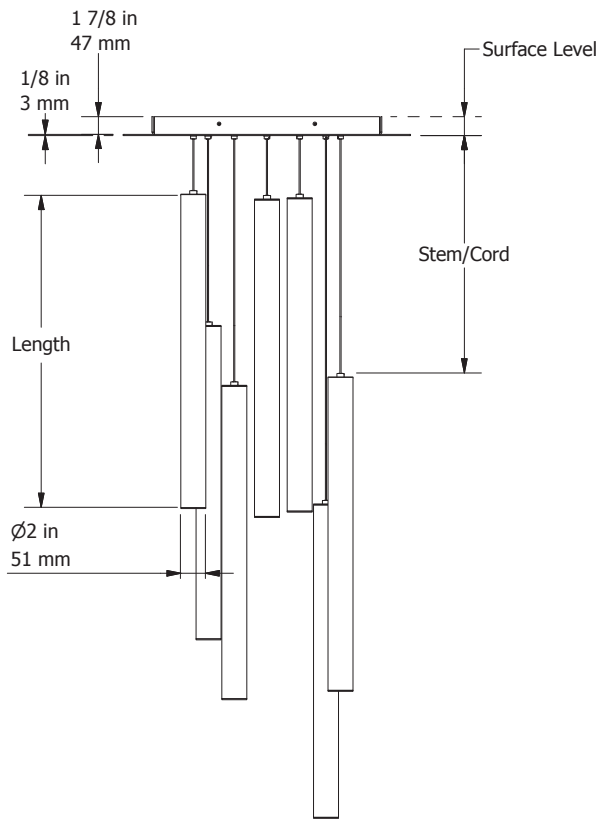
**Notes:**

## Order Guide

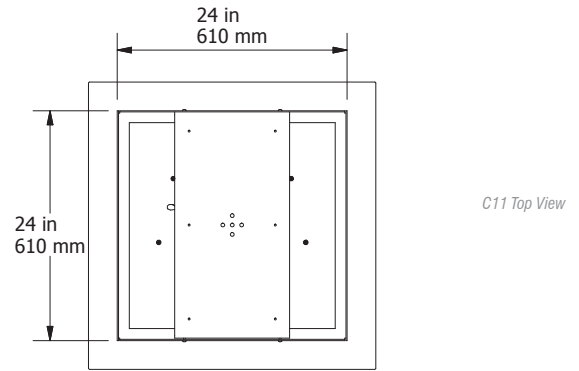
Example: L631-L191-C11-2-W30S-C72-MC

Code	Mount	Length	Color	Stem / Cord	Finish
<b>L631-L191</b>	<b>C11</b>	-	-	-	-
	<b>C11 - 30" (762mm) x 30" (762mm)</b>	<b>2 = 2'</b> <b>4 = 4'</b>	<b>W22S = 2200K, 80+CRI</b> <b>W27S = 2700K, 80+CRI</b> <b>W30S = 3000K, 80+CRI</b> <b>W35S = 3500K, 80+CRI</b> <i>(W35S available upon request)</i>	<b>C72 = 72" (1829mm) cord</b> <b>CX = custom cord</b>	<b>MC = matte chrome</b>

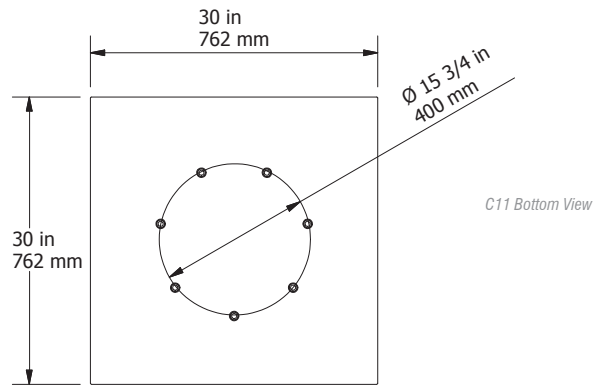
**Dimension**



C11 Canopy



C11 Top View



C11 Bottom View

**PHOTOMETRIC DATA:**

**2', 3000K, 80+CRI**

**4', 3000K, 80+CRI**

**Polar Candela Distribution**

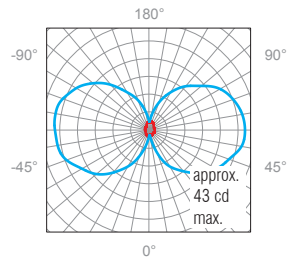
**Illuminance at a Distance**

**Polar Candela Distribution**

**Illuminance at a Distance**

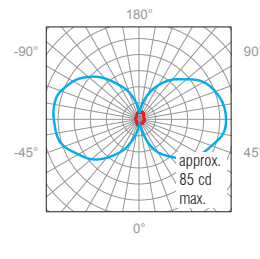
Lumen: 219lm

Lumen: 436lm



Distance	Center Beam FC	Beam Width
3.0'	0.30	9.1' 6.5'
6.0'	0.07	18.2' 13.0'
9.0'	0.03	27.3' 19.5'
12.0'	0.02	36.4' 26.0'
15.0'	0.01	45.5' 32.5'
18.0'	0.01	54.6' 39.0'

0° Spread: 113.2° 90° Spread: 94.5°



Distance	Center Beam FC	Beam Width
3.0'	0.62	8.9'(2.71m) 6.5'(1.98m)
6.0'	0.15	17.9'(5.45m) 13.1'(3.99m)
9.0'	0.07	26.8'(8.17m) 19.6'(5.97m)
12.0'	0.04	35.7'(10.88m) 26.2'(7.98m)
15.0'	0.02	44.7'(13.62m) 32.7'(9.96m)
18.0'	0.02	53.6'(16.33m) 39.2'(11.94m)

0° Spread: 112.2° 90° Spread: 94.9°