




L610-L600

Application	3" x 3" x 3" interior surface mount down light applicable for illuminating counter tops, hallways, cabinets, or work surfaces where fully recessed products are not an option.
IP Rating	42
Mounting	Mounts to standard 4" octagonal box
Electrical	8.0 Watt remote driver <i>*Consult factory for recommended driver</i>
Power Consumption	8.0 Watt
Light Output	8 Watt, 323~334lm <i>*For photometric data, see page 02</i>
Warranty	5 years limited warranty Estimated useful life of LED is 50,000 hours.
Material	Anodized aluminum. RoHS compliant
Weight	-
Approval	

Type:

Project:

Modified:

Quantity:

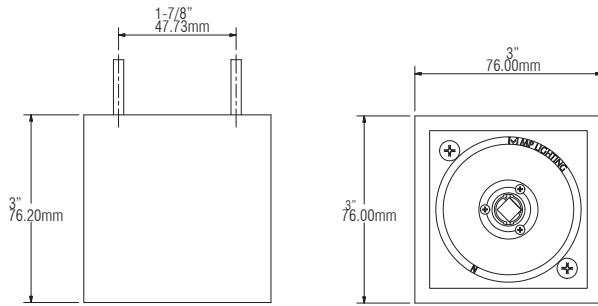
Notes:

Order Guide

Example: L610-600-8-W27H-S-S-1-MA

Code	Wattage	Color	Beam	Reflector Color	Finish
L610-L600	8				
	8 = 8W	W27H = 2700K, 90+CRI W30H = 3000K, 90+CRI	S = spot (12°) N = narrow flood (30°)	S = silver specular B = black specular	MA = matte clear anodized BK = black powder coating

DIMENSION:



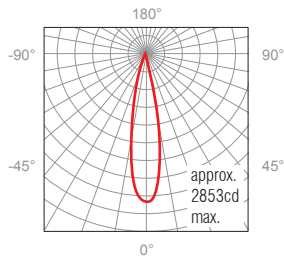
PHOTOMETRIC DATA:

8W, 3000K, Silver Reflector

Polar Candela Distribution

Illuminance at a Distance

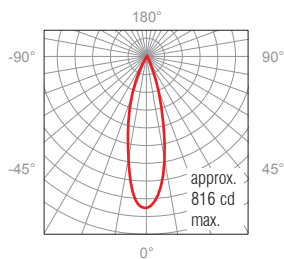
Lumen: 325lm, Spot beam (12°)



	Center Beam FC	Beam Width
3.0'	317.0	0.8'
6.0'	79.3	1.6'
9.0'	35.2	2.3'
12.0'	19.8	3.1'
15.0'	12.7	3.9'
18.0'	8.8	4.7'

0° Spread: 14.8°

Lumen: 323lm, Narrow beam (30°)



	Center Beam FC	Beam Width
3.0'	90.7	1.7'
6.0'	22.7	3.3'
9.0'	10.1	5.0'
12.0'	5.7	6.6'
15.0'	3.6	8.3'
18.0'	2.5	9.9'

0° Spread: 30.9°