



L360-L05

Application Exterior/interior directional in-grade light for lighting walls, columns, architectural features or landscape features. Applicable for mounting into floors, walls, ceilings or other surfaces where a non-obtrusive luminaire is required. Suitable for drive-over and walk-over applications. For dry / wet locations.

IP Rating 66

Mounting Comes with splice box, aluminum flange and level gauge. Can be buried in earth/gravel or cast into concrete/paving stone with or without mounting base. Can be mounted with MK1 and MK2 (consult with factory)

Electrical 8.0 Watts
**See website for recommended drivers*
**Remote emergency driver / inverter options available.*
Consult factory.

Power 8 Watts

Consumption

Light Output 8.0 Watt, 247~275lm
**For photometric data, see page 03*

Reflector Cone Aluminium

Field Angle Without accessory 35°
 With Hex Louver 38°
**For drawing see page 02*

Cut Off Angle Without accessory 73°
 With Hex Louver 71°
**For drawing, see page 02*

Warranty 5 years limited warranty
 Estimated useful life of LED is 50,000 hours.

Material Solid anodized aluminum, bronze or stainless steel (316) with 1/4" (6mm) thick tempered glass lens, suitable for walk-over and drive-over applications. RoHS compliant.

Drive Over Rating 4400kg/9700lbs

Weight 2.56lbs (1.16kg) (base extra).

Approval 

Type:

Project:

Modified:

Quantity:

Notes:

DISCLAIMER - When using a control system, consult dimming system manufacturer with minimum load before installing 12V AC transformer. Malfunction and damage to product due to improper dimming system installation or misuse will not be covered under warranty. Only DC Drivers are recommended for dimming systems. Consult MP Lighting for recommended drivers.

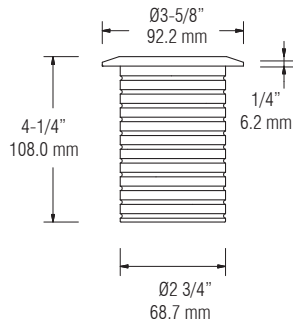
*MP Lighting reserves the right, at its sole discretion, at any time and without notice, to make design changes to any of our products.

Order Guide

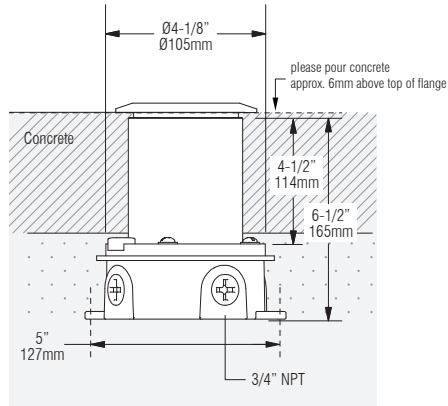
Example: L360-L05-8-W27H-S-S-HB-C-D-P-0-MA

Code	Wattage	Color	CRI	Beam Reflector	Reflector Color	Accessory	Lens Option	Input Voltage	Flange height	Base Height	Finish
L360-L05	8 = 8W	W27 = 2700K W30 = 3000K	H = 90+CRI X = Xicato Artist, 97+CRI HD = Halogen dim (2800~1900K)	S = spot (12°) N = narrow flood (30°)	S = silver specular B = black specular	HB = hex louver, black anodized	C = clear F = frosted	D = DC A = 12V AC	P = paving stone flange/ box, 6-1/2" (165mm)	0 = no base 2 = 2" (51mm) 6 = 6" (152mm)	MA = matte clear anodized BA = black anodized BZ = bronze anodized S6 = stainless steel 316 ABZ = antique bronze

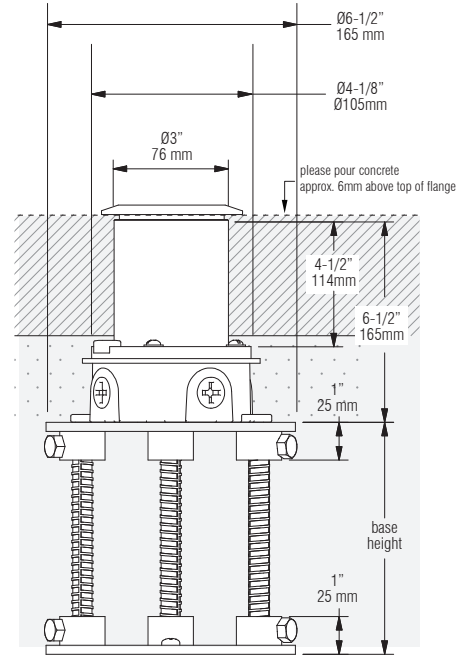
DIMENSION:



Insert



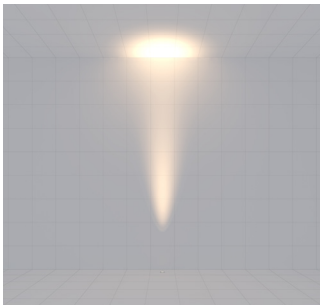
Paving Stone Flange



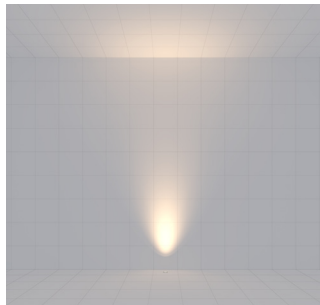
Paving Stone Flange with MK2 mounting base

LIGHT DISTRIBUTION:

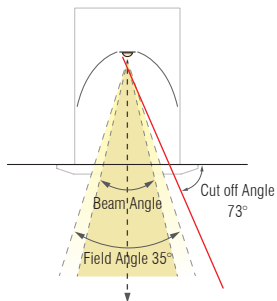
8Watt



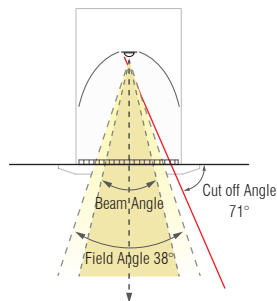
12° (Spot Beam), Clear lens,
Matte clear anodized



30° (Narrow Flood Beam), Clear lens,
Matte clear anodized



Without accessory



With Hex louver

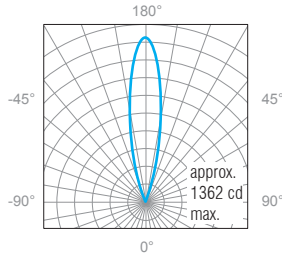
PHOTOMETRIC DATA:

8W, 3000K, Clear lens

Polar Candela Distribution

Illuminance at a Distance

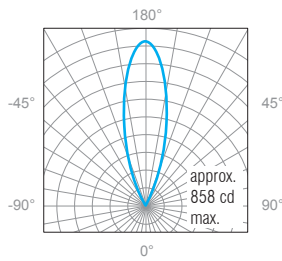
Lumen: 247lm, Spot beam (12°)



	Center Beam FC	Beam Width
9.0'	16.8	3.0' (914mm)
7.5'	24.2	2.5' (762mm)
6.0'	37.8	2.0' (609mm)
4.5'	67.3	1.5' (457mm)
3.0'	151	1.0' (304mm)
1.5'	605	0.5' (152mm)

0° Spread: 19.2°

Lumen: 275lm, Narrow flood beam (30°)



	Center Beam FC	Beam Width
9.0'	10.6	4.7' (1.43m)
7.5'	15.3	3.9' (1.18m)
6.0'	23.8	3.1' (945mm)
4.5'	42.4	2.4' (731mm)
3.0'	95.4	1.6' (487mm)
1.5'	381	0.8' (243mm)

0° Spread: 29.5°