



L338-L337

Application	Exterior/interior ceiling mount light.
IP Rating	67
Mounting	Recessed mount to ceiling.
Electrical	3.2V, 20mA LED LED input voltage: 12V DC <i>*See website for recommended drivers</i> <i>*Remote emergency driver / inverter options available. Consult factory.</i>
Power Consumption	0.2 Watt
Light Output	0.2 Watt, 2.1lm <i>*For photometric data, see page 02</i>
Warranty	5 years limited warranty Estimated useful life of LED is 50,000 hours.
Material	Solid aluminum or marine grade stainless steel 316, RoHS compliant.
Weight	-
Approval	

Type:

Project:

Modified:

Quantity:

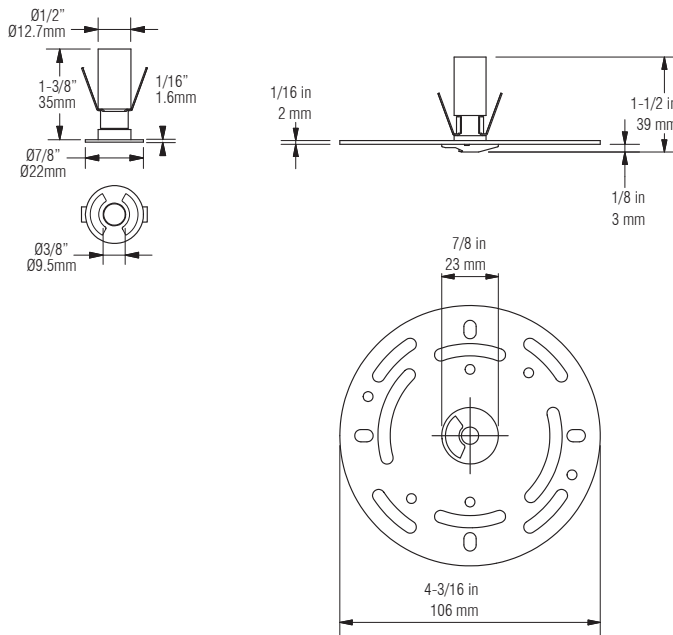
Notes:

Order Guide

Example: L338-L337-WWH-S-C-D-MA

Code	Color	Aperture	Lens	Input voltage	Finish
L338-L337	-	WWH		D	-
	WWH = warm white	S = Single D = Double	C = clear F = frosted	D = DC (DC only)	MA = matte clear anodized S6 = stainless steel 316

DIMENSION:



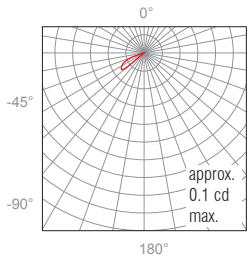
PHOTOMETRIC DATA:

0.2W, WWH (warm white)

Polar Candela Distribution

Illuminance at a Distance

Lumen: 2.1lm (single aperture)



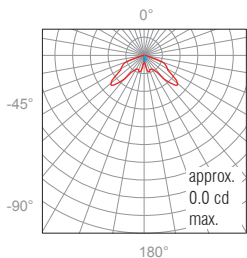
	Center Beam FC	Beam Width
0.2'	0.01	0.2'(61mm) 0.06'(18mm)
0.3'	0.00	0.4'(122mm) 0.13'(39mm)
0.5'	0.00	0.6'(183mm) 0.19'(58mm)
0.7'	0.00	0.7'(213mm) 0.26'(79mm)
0.8'	0.00	1.1'(335mm) 0.32'(98mm)
1.0'	0.00	1.32'(402mm) 0.38'(115mm)

■ 0° Spread: 66.8° ■ 90° Spread: 21.6°

Polar Candela Distribution

Illuminance at a Distance

Lumen: 2.1lm (double aperture)



	Center Beam FC	Beam Width
0.2'	0.01	0.2'(61mm) 0.09'(27mm)
0.3'	0.00	0.4'(122mm) 0.18'(55mm)
0.5'	0.00	0.6'(183mm) 0.27'(82mm)
0.7'	0.00	0.88'(268mm) 0.36'(109mm)
0.8'	0.00	1.09'(332mm) 0.45'(137mm)
1.0'	0.00	1.32'(402mm) 0.54'(165mm)

■ 0° Spread: 66.4° ■ 90° Spread: 30.0°