

L225C4-L

- Application** Interior directional light for wall, picture or signage illumination.
- IP Rating** 20
- Mounting** Retrofit to existing standard octagonal box using custom mounting plate.
* See installation sheet.
- Electrical** 13W at 350mA.
- Power Supply** Powered by remote dimmable/ non-dimmable driver (sold separately).
*See website for recommended drivers
*Remote emergency driver / inverter options available. Consult factory.
*Complete with Photocell.
- Power Consumption** 13.0 Watt
- Light Output** 13.0 Watt, 700~731lm
- Warranty** 5 years limited warranty
Estimated useful life of LED is 50,000 hours.
- Material** Solid anodized aluminum . RoHS compliant.
- Weight** -
- Approval**



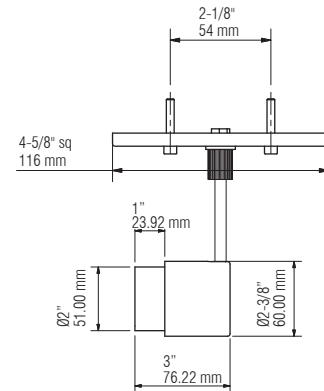
Type:

Project:

Modified:

Quantity:

Notes:



Order Guide

Example: L225-C4-L-13-W30S-S-FS-MA-2-MA

Code	Mount	Size	Wattage	Color	Beam	Accessories	Accessory Finish	Stem	Finish
L225	C4	L	13						
	C4 = 4-5/8" Sq. x 1/4" canopy	L = large	13 = 13W	W27S = 2700K, 80+CRI W30S = 3000K, 80+CRI W35S = 3500K, 80+CRI HD = halogen dim, 95+CRI (2800~1900K)	S = spot (12°) N = narrow flood (30°)	FS= full shroud	MA = matte clear anodized BA = black anodized	2 = 2" (51mm) X = custom	MA = matte clear anodized BA = black anodized WH = white powder coating

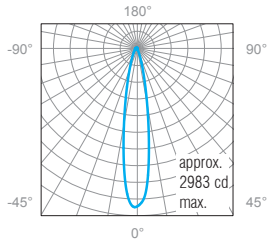
PHOTOMETRIC DATA:

13W, 3000K, 80+CRI, 19°

Polar Candela Distribution

Illuminance at a Distance

Lumen: 700 lm



	Center Beam FC	Beam Width
3.0'	331	1.0' (305mm)
6.0'	82.9	2.0' (609mm)
9.0'	36.8	3.1' (945mm)
12.0'	20.7	4.1' (1250mm)
15.0'	13.3	5.1' (1554mm)
18.0'	9.21	6.1' (1859mm)

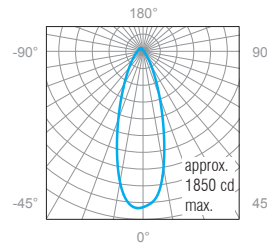
0° Spread: 19.4°

13W, 3000K, 80+CRI, 30°

Polar Candela Distribution

Illuminance at a Distance

Lumen: 731 lm



	Center Beam FC	Beam Width
3.0'	206	1.6' (487mm)
6.0'	51.4	3.1' (945mm)
9.0'	22.8	4.7' (1432mm)
12'	12.8	6.3' (1920mm)
15'	8.22	7.9' (2407mm)
18'	5.71	9.4' (2865mm)

0° Spread: 29.4°