




L130

- Application** Interior surface mount downlight.
- IP Rating** 40
- Mounting** Mounts to standard octagonal box (not included).
- Electrical** 3 x 2.5W, 700mA LEDs.
- Power Supply** Power by remote constant current driver.
*See website for recommended drivers.
*Remote emergency driver/inverter options available (consult factory)
- Power Consumption** 9.0 Watt (At 700mA, 7.5 Watt)
- Light Output** 7.5 Watt , 240~266 lm
- Warranty** 5 years limited warranty
Estimated useful life of LED is 50,000 hours.
- Material** Solid anodized aluminum . RoHS compliant.
- Weight** 0.84lbs (0.38kg).
- Approval** 

Type:

Project:

Modified:

Quantity:

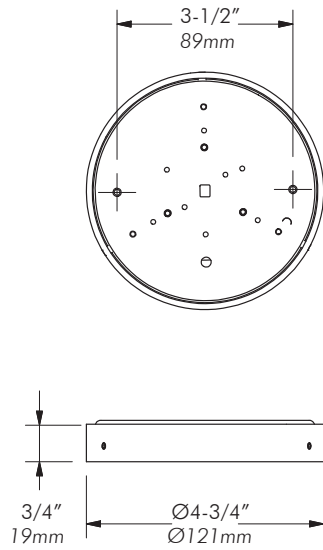
Notes: PLEASE READ - When using a control system, consult dimming system manufacturer with minimum load before installing 12V AC transformer. Malfunction and damage to product due to improper dimming system installation or misuse will not be covered under warranty. Only DC Drivers are recommended for dimming systems. Consult MP Lighting for recommended drivers.

Order Guide

Example: L130-7-W27S-30-A-MA

Code	Wattage	Color	Beam	Input Voltage	Finish
L130	-	7			
	7 = 3 x 2.5W	W22S = 2200K, 80+CRI W27S = 2700K, 80+CRI W30S = 3000K, 80+CRI W35S = 3500K, 80+CRI W41S = 4100K, 80+CRI W27H = 2700K, 90+CRI W30H = 3000K, 90+CRI W35H = 3500K, 90+CRI	30 = 30° beam 60 = 60° beam	D = DC A = 12V AC	MA = matte clear anodized BA = black anodized WH = white

Dimension:



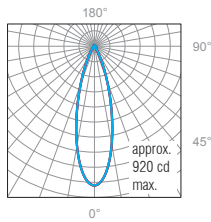
PHOTOMETRIC DATA:

7.5W, 3000K 80+ CRI, 30° beam

Polar Candela Distribution

Illuminance at a Distance

Lumen: 260lm



	Center Beam FC	Beam Width	
3.0'	102.3	1.6'	1.6'
6.0'	25.6	3.2'	3.2'
9.0'	11.4	4.8'	4.8'
12.0'	6.4	6.4'	6.4'
15.0'	4.1	8.0'	8.0'
18.0'	2.8	9.6'	9.6'

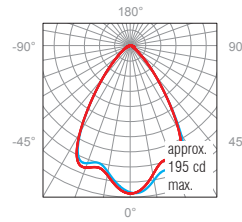
0° Spread: 31.3° 90° Spread: 31.3°

7.5W, 3000K 80+ CRI, 60° beam

Polar Candela Distribution

Illuminance at a Distance

Lumen: 240lm



	Center Beam FC	Beam Width	
3.0'	21.6	4.1'	4.1'
6.0'	5.4	8.2'	8.2'
9.0'	2.4	12.3'	12.3'
12.0'	1.3	16.4'	16.4'
15.0'	0.9	20.6'	20.4'
18.0'	0.6	24.7'	24.5'

0° Spread: 68.8° 90° Spread: 68.5°